



THREE RIVERS
TRADING CO.

SPECIFICATIONS

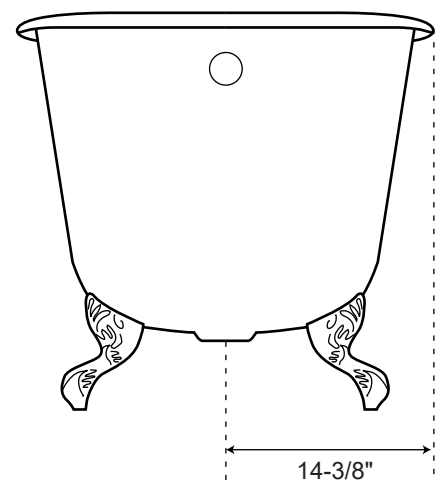
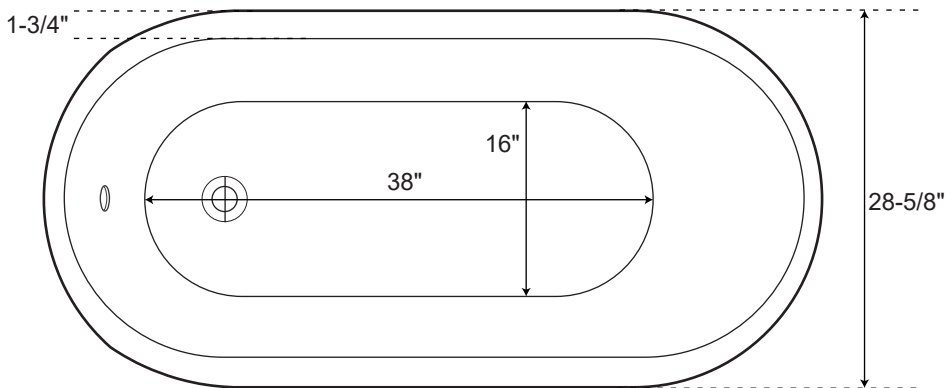
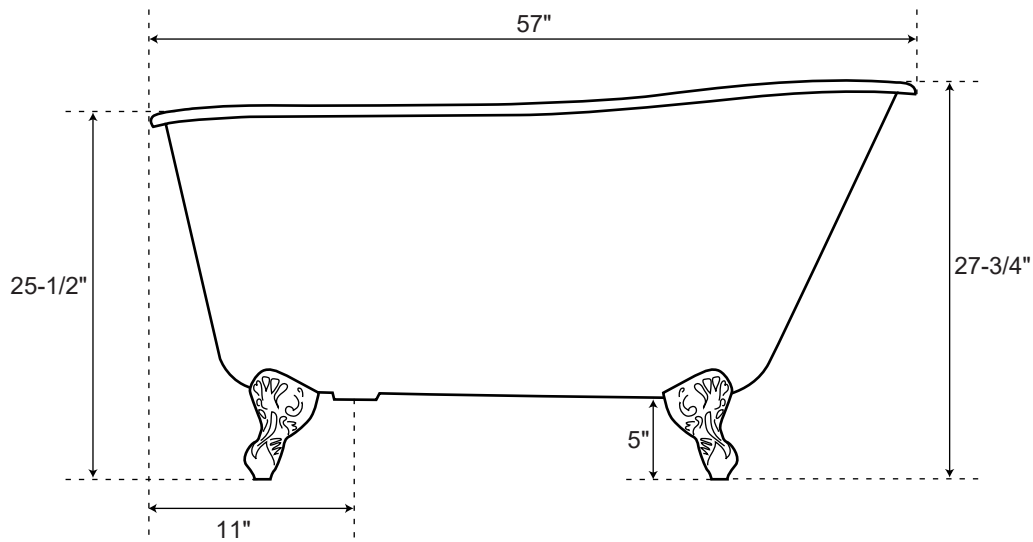
Overall Dimensions 57" L x 28 5/8" W x 27 3/4" H

Water Capacity 45 Gallons

Tub Weight 295 lbs

Newnan 57"

Cast Iron Bathtub



All measurements are approximate. Measurements may vary +/- 1/2".