



THREE RIVERS  
TRADING CO.

## SPECIFICATIONS

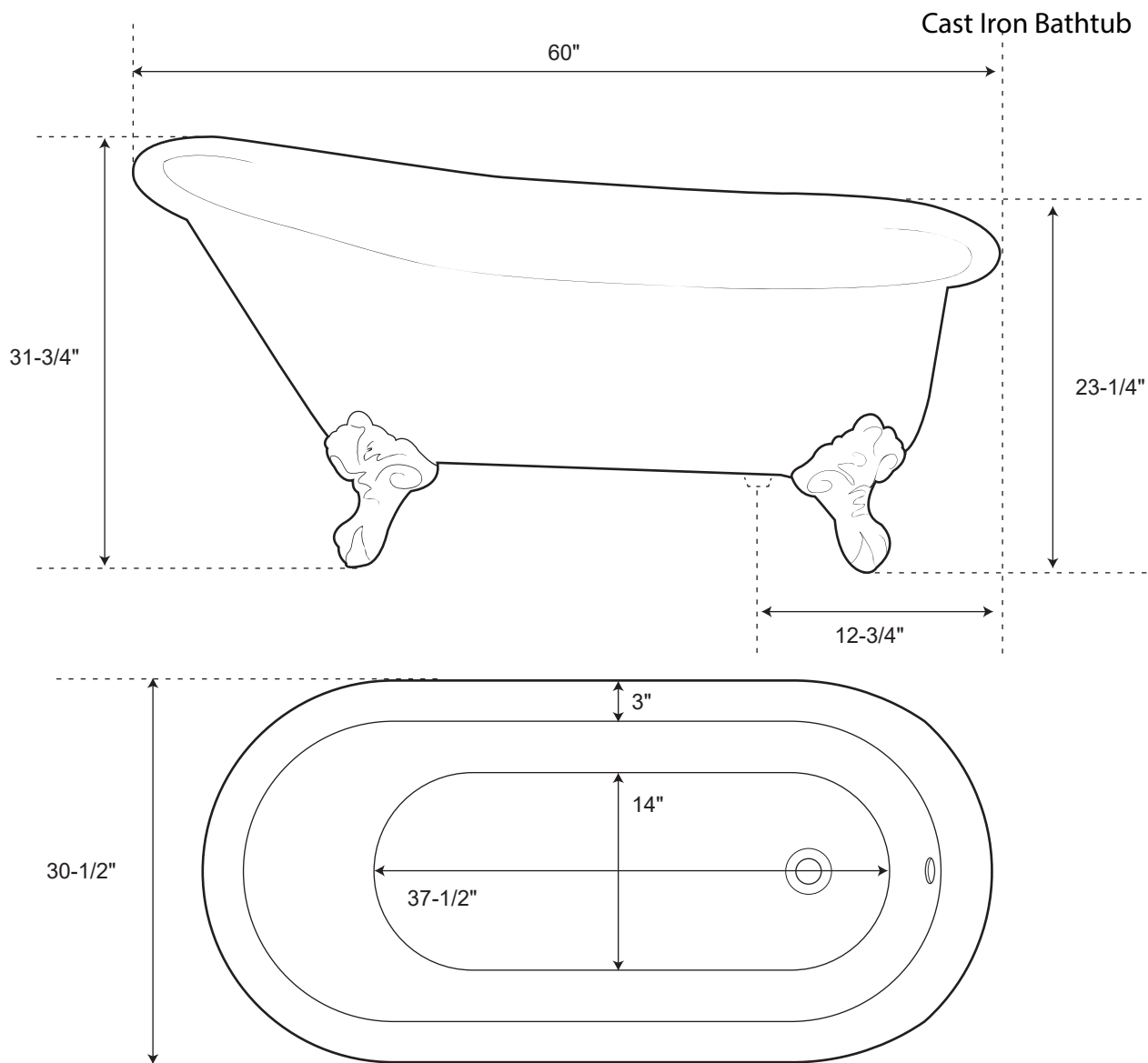
Overall Dimensions 60" L x 30 1/2" W x 31 3/4" H

Water Capacity 31 Gallons

Tub Weight 313 lbs

# Melbourne

Cast Iron Bathtub



All measurements are approximate. Measurements may vary +/- 1/2".